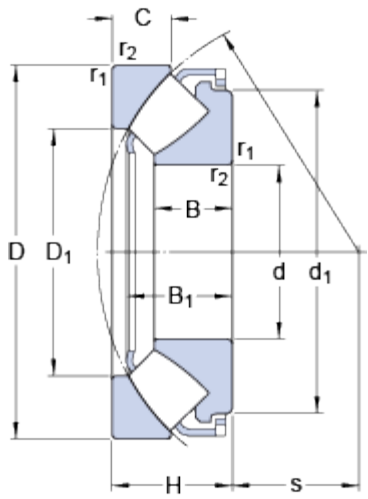


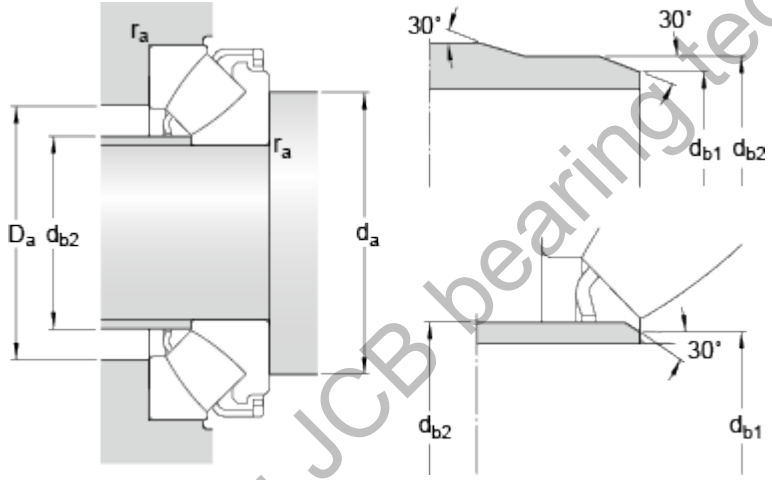
# 29338 E

## Dimensions



d	190	mm
D	320	mm
H	78	mm
d <sub>1</sub>	≈ 285	mm
D <sub>1</sub>	≈ 244	mm
B	49	mm
B <sub>1</sub>	71.3	mm
C	36	mm
s	110	mm
r <sub>1,2</sub>	min. 4	mm

## Abutment dimensions



da	min. 250	mm
db1	max. 200	mm
db2	max. 211	mm
Da	max. 280	mm
ra	max. 3	mm

## Calculation data

Basic dynamic load rating	C	1630	kN
Basic static load rating	C <sub>0</sub>	4750	kN
Fatigue load limit	P <sub>u</sub>	490	kN
Reference speed		1100	r/min
Limiting speed		1900	r/min
Minimum axial load factor	A	2.1	

## Mass

Mass bearing	23.5	kg
--------------	------	----